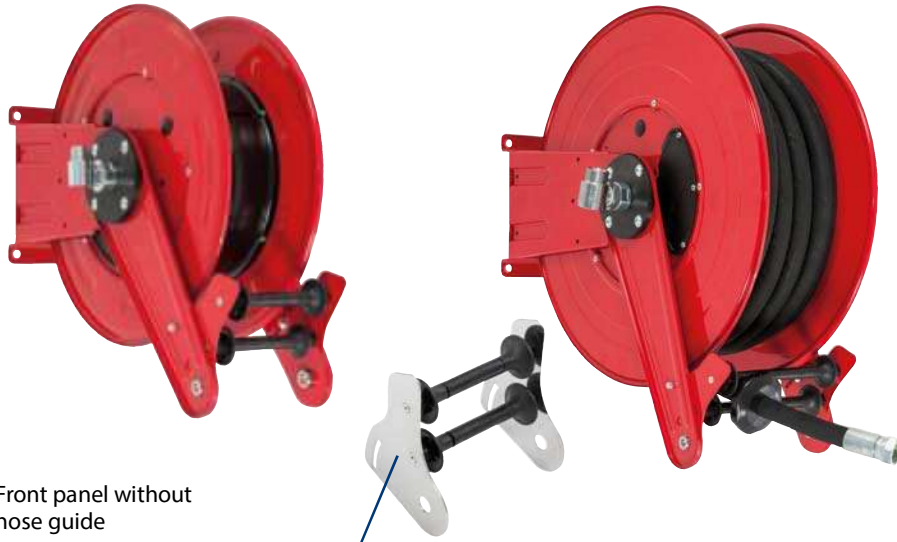
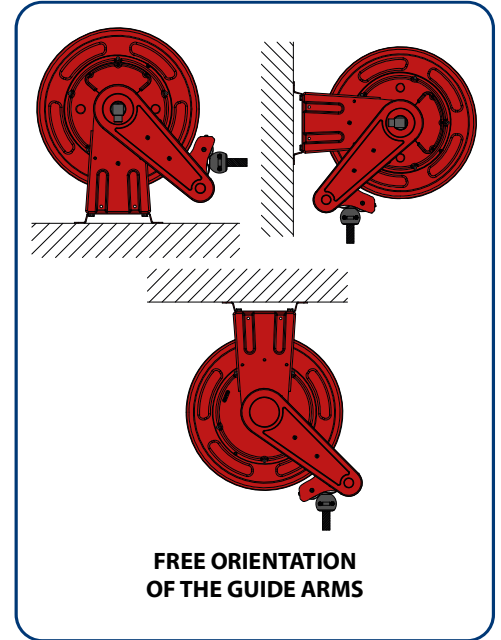


The new **ANDROMEDA** hose reel line is also offered in a **version without hose guide but predisposed** to be equipped with the **NOVA[®]** hose guide kit later.

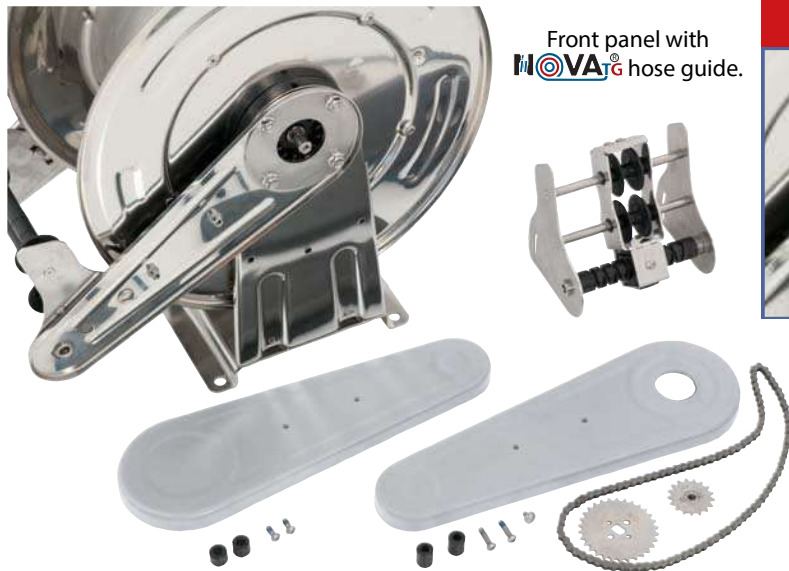
It can also be integrated later with the hydraulic **HB**  brake kit inserted on the guide arm cover. (see image C below), which safely controls the rewind speed of the reel.



Front panel without hose guide



CONVERSION KIT FOR HOSE REEL WITH PREDISPOSITION FOR **NOVA[®]** HOSE GUIDE



Front panel with **NOVA[®]** hose guide.



NOVA[®]
PREDISPOSED REEL



CONVERSION KIT

Kit including hose guide and drive (belt or chain) suitable for the application of **NOVA[®]** hose guide on the predisposed models.

HYDRAULIC BRAKE KIT HB REWIND CONTROL



OPTIONAL

HB Spring brake hydraulic kit / PATENTED
Safety device for a controlled rewinding of the hose.
Restrains the hose in case of accidental releases, lowering risks for the operator.
Patent no. 0001426967



Scan the QR code to watch the video



(C) BRAKE KIT COMPOSITION

- A Guide arm cover
- B HB Hydraulic brake



400 SERIES - ASG1 Ø Disc 434 mm - Spool 130 mm - Drum 250 mm

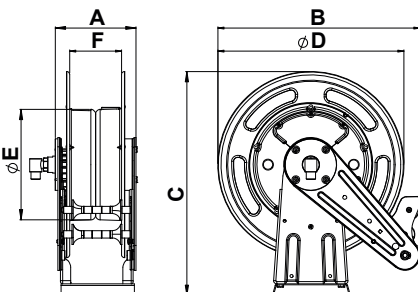
	Art.no. WITHOUT HOSE GUIDE	Max. pressure joint	Connection threads IN - OUT	Spring	Max diameter hose	Max length hose (m)	Pivoting wall bracket	Swivel joint*
PAINTED STEEL	ASGF4213150	600 bar **	1/2"(M)-1/2"(F)	15m	1/4"-3/8"-1/2"	15	9767	9951
	ASGF4213200			20m	1/4"-3/8"-1/2"	20		
	ASGF4213250			25m	1/4"-3/8"-1/2"	25		
	ASGF4213151	100 bar	1"(M)-3/4"(F)	15m	3/4"-1"	12-6		
AISI 304 STAINLESS STEEL	ASGX4213150	200 bar **	1/2"(M)-1/2"(F)	15m	1/4"-3/8"-1/2"	15	9760	9963
	ASGX4213200			20m	1/4"-3/8"-1/2"	20		
	ASGX4213250			25m	1/4"-3/8"-1/2"	25		
	ASGX4213151	100 bar	1"(M)-3/4"(F)	15m	3/4"-1"	12-6		

400 SERIES - ASG2 Ø Disc 434 mm - Spool 195 mm - Drum 250 mm

	Art.no. WITHOUT HOSE GUIDE	Max. pressure joint	Connection threads IN - OUT	Spring	Max diameter hose	Max length hose (m)	Pivoting wall bracket	Swivel joint*
PAINTED STEEL	ASGF4219200	600 bar **	1/2"(M)-1/2"(F)	20m	1/4"-3/8"-1/2"	20	15001	9951
	ASGF4219250			25m	1/4"-3/8"-1/2"	25		
	ASGF4219151	100 bar	1"(M)-3/4"(F)	15m	3/4"-1"	15-10		
AISI 304 STAINLESS STEEL	ASGX4219200	200 bar **	1/2"(M)-1/2"(F)	20m	1/4"-3/8"-1/2"	20	20001	9963
	ASGX4219250			25m	1/4"-3/8"-1/2"	25		
	ASGX4219151	100 bar	1"(M)-3/4"(F)	15m	3/4"-1"	15-10		

400 SERIES - ASG3 Ø Disc 434 mm - Spool 260 mm - Drum 250 mm

	Art.no. WITHOUT HOSE GUIDE	Max. pressure joint	Connection threads IN - OUT	Spring	Max diameter hose	Max length hose (m)	Pivoting wall bracket	Swivel joint*
PAINTED STEEL	ASGF4226201	100 bar	1"(M)-3/4"(F)	20m	3/4"	20	15002	9986
	ASGF4226151			15m	1"	15		
AISI 304 STAINLESS STEEL	ASGX4226201	100 bar	1"(M)-3/4"(F)	20m	3/4"	20	20002	9986
	ASGX4226151			15m	1"	15		

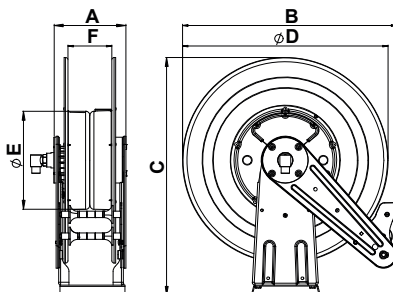


*) The reels in painted steel are equipped with mineral oil compatible swivel joint gaskets. The hose reels in stainless steel come with water-compatible Viton® swivel joint gaskets. See pages 263-265 for the complete range of swivel joints with gaskets compatible with other liquids.

***) When ordering, specify whether or not the application implies the use of low pressure hoses (see page 266 regarding the splitting of the roller).

DIMENSIONS AND PACKAGING

Art.no.	D (mm)	F (mm)	E (mm)	A-B-C (mm)	Packaging dimensions (mm)	Weight (kg)
ASG1	434	130	250	212x474x522	600x370x620	15
ASG2	434	195	250	276x474x523	600x370x620	19
ASG3	434	260	250	339x474x523	560x490x560	21



500 SERIES - ASG4 Ø Disc 540 mm - Spool 130 mm - Drum 250 mm

	Art.no. WITHOUT HOSE GUIDE	Max. pressure joint	Connection threads IN - OUT	Spring	Max diameter hose	Max length hose (m)	Pivoting wall bracket	Swivel joint*
PAINTED STEEL	ASGF5213200	600 bar **	1/2"(M)-1/2"(F)	20m	1/4"-3/8"-1/2"	20	9767	9951
	ASGF5213250			25m		25		
	ASGF5213201	100 bar	1"(M)-3/4"(F)	20m	3/4" 1"	20 12		
AISI 304 STAINLESS STEEL	ASGX5213200	200 bar **	1/2"(M)-1/2"(F)	20m	1/4"-3/8"-1/2"	20	9760	9963
	ASGX5213250			25m		25		
	ASGX5213201	100 bar	1"(M)-3/4"(F)	20m	3/4" 1"	20 12		

500 SERIES - ASG5 Ø Disc 540 mm - Spool 195 mm - Drum 250 mm

	Art.no. WITHOUT HOSE GUIDE	Max. pressure joint	Connection threads IN - OUT	Spring	Max diameter hose	Max length hose (m)	Pivoting wall bracket	Swivel joint*
PAINTED STEEL	ASGF521925H501	100 bar	1"(M)-3/4"(F)	25mH50	3/4"	25	15001	9986
	ASGF5219201			20m	3/4"	20		
				1"	18			
AISI 304 STAINLESS STEEL	ASGX521925H501	100 bar	1"(M)-3/4"(F)	25mH50	3/4"	25	20001	9986
	ASGX5219201			20m	3/4"	20		
				1"	18			

500 SERIES - ASG6 Ø Disc 540 mm - Spool 260 mm - Drum 250 mm

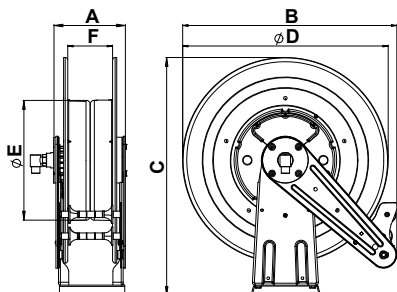
	Art.no. WITHOUT HOSE GUIDE	Max. pressure joint	Connection threads IN - OUT	Spring	Max diameter hose	Max length hose (m)	Pivoting wall bracket	Swivel joint*
PAINTED STEEL	ASGF522625H501	100 bar	1"(M)-3/4"(F)	25mH50	3/4" - 1"	25	15002	9986
AISI 304 STAINLESS STEEL	ASGX522625H501	100 bar	1"(M)-3/4"(F)	25mH50	3/4" - 1"	25	20002	9986

*) The reels in painted steel are equipped with mineral oil compatible swivel joint gaskets. The hose reels in stainless steel come with water-compatible Viton® swivel joint gaskets. See pages 263-265 for the complete range of swivel joints with gaskets compatible with other liquids.

**) When ordering, specify whether or not the application implies the use of low pressure hoses (see page 266 regarding the splitting of the roller).

DIMENSIONS AND PACKAGING

Art.no.	D (mm)	F (mm)	E (mm)	A-B-C (mm)	Packaging dimensions (mm)	Weight (kg)
ASG4	540	130	250	212x565x625	700x370x700	20
ASG5	540	195	250	281x565x626	700x420x660	22
ASG6	540	260	250	346x565x626	700x420x660	23



500 SERIES - ASG7 Ø Disc 540 mm - Spool 130 mm - Drum 335 mm

	Art.no. WITHOUT HOSE GUIDE	Max. pressure joint	Connection threads IN - OUT	Spring	Max diameter hose	Max length hose (m)	Pivoting wall bracket	Swivel joint*
PAINTED STEEL	ASGF5313200	600 bar **	1/2"(M)-1/2"(F)	20m	1/4"-3/8"-1/2"	20	9767	9951
	ASGF5313350			35m		35		
	ASGF5313201	100 bar	1"(M)-3/4"(F)	20m	3/4"	20		9986
				1"	12			
AISI 304 STAINLESS STEEL	ASGX5313200	200 bar **	1/2"(M)-1/2"(F)	20m	1/4"-3/8"-1/2"	20	9760	9963
	ASGX5313350			35m		35		
	ASGX5313201	100 bar	1"(M)-3/4"(F)	20m	3/4"	20		9986
				1"	12			

500 SERIES - ASG8 Ø Disc 540 mm - Spool 195 mm - Drum 335 mm

	Art.no. WITHOUT HOSE GUIDE	Max. pressure joint	Connection threads IN - OUT	Spring	Max diameter hose	Max length hose (m)	Pivoting wall bracket	Swivel joint*
PAINTED STEEL	ASGF5319350	600 bar **	1/2"(M)-1/2"(F)	35m	1/4"-3/8"-1/2"	35	15001	9951
	ASGF5319351					30		
	ASGF5319201	100 Bar	1"(M)-3/4"(F)	20m	3/4"	20		9986
				1"	18			
AISI 304 STAINLESS STEEL	ASGX5319350	200 bar **	1/2"(M)-1/2"(F)	35m	1/4"-3/8"-1/2"	35	20001	9963
	ASGX5319351					30		
	ASGX5319201	100 Bar	1"(M)-3/4"(F)	20m	3/4"	20		9986
				1"	18			

500 SERIES - ASG9 Ø Disc 540 mm - Spool 260 mm - Drum 335 mm

	Art.no. WITHOUT HOSE GUIDE	Max. pressure joint	Connection threads IN - OUT	Spring	Max diameter hose	Max length hose (m)	Pivoting wall bracket	Swivel joint*
PAINTED STEEL	ASGF5326350	600 bar **	1/2"(M)-1/2"(F)	35m	1/4"-3/8"-1/2"	35	15002	9951
	ASGF5326351					25		
	ASGF5326351	100 bar	1"(M)-3/4"(F)		1"	25		9986
AISI 304 STAINLESS STEEL	ASGX5326350	200 bar **	1/2"(M)-1/2"(F)	35m	1/4"-3/8"-1/2"	35	20002	9963
	ASGX5326351					25		
	ASGX5326351	100 bar	1"(M)-3/4"(F)		1"	25		9986

*) The reels in painted steel are equipped with mineral oil compatible swivel joint gaskets. The hose reels in stainless steel come with water-compatible Viton® swivel joint gaskets. See pages 263-265 for the complete range of swivel joints with gaskets compatible with other liquids.

***) When ordering, specify whether or not the application implies the use of low pressure hoses (see page 266 regarding the splitting of the roller).

DIMENSIONS AND PACKAGING

Art.no.	D (mm)	F (mm)	E (mm)	A-B-C (mm)	Packaging dimensions (mm)	Weight (kg)
ASG7	540	130	335	281x565x626	700x420x660	20
ASG8	540	195	335	281x565x626	700x420x660	22
ASG9	540	260	335	346x565x626	700x420x660	23